



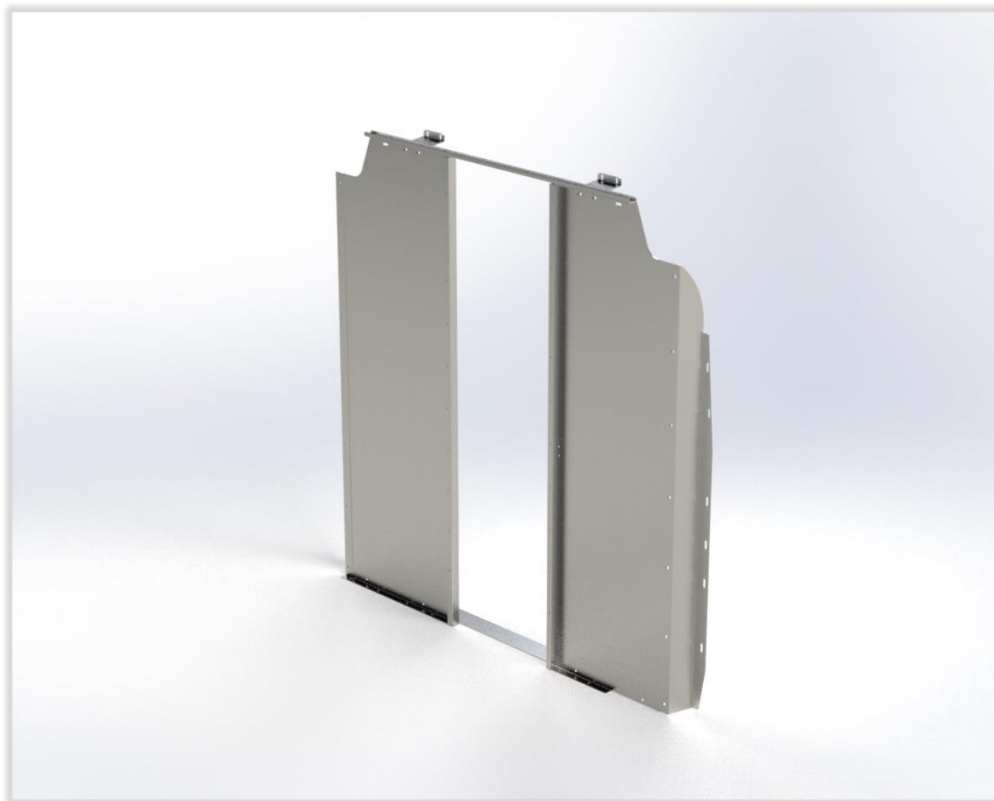
# ASSEMBLY & INSTALLATION GUIDE

P30-FTM

Aluminum Walk Through Safety Partition

Fits:

Ford Transit Mid Roof Vans





## PRIOR TO INSTALLATION:

**PLEASE CAREFULLY READ AND ADHERE TO ALL WARNINGS AND INSTALLATION GUIDELINES BEFORE USING THIS PRODUCT. FAILURE TO DO SO MAY RESULT IN PROPERTY DAMAGE, SEVERE BODILY INJURY, AND/OR LOSS OF LIFE. THE MANUFACTURER DISCLAIMS ANY RESPONSIBILITY FOR PROPERTY DAMAGE, PERSONAL INJURY, OR FATALITIES THAT MAY OCCUR WHILE UTILIZING PACKD PRODUCTS.**

- Neglecting to utilize the provided fasteners, brackets, and following proper installation guidelines may heighten the risk of severe personal injury and/or fatality.
- In instances where drilling is necessary for installation, improper drilling may lead to vehicle damage, electric shock, fire, or fatality.
- If drilling is necessary, ensure that it is restricted to areas authorized by the vehicle's Original Equipment Manufacturer's Body Builders Layout Book (or equivalent document).
- Prior to drilling, verify that critical vehicle components such as the gas tank, wiring harness, or hoses will not be impacted. Consult the vehicle OEM documentation as needed and use a drill collar during drilling to minimize the risk of vehicle damage.
- Before installation, inspect the vehicle to guarantee that the installation will not obstruct critical components such as electrical wiring, fuel tanks, fuel cells, locks, latches, etc.
- The installer or upfitter is responsible for ensuring that anchorages are securely installed on appropriate wall and floor structures.
- Avoid installing systems into weak or unsound materials such as plastics, woods, thin-walled metals, etc., without proper reinforcement.
- Do not install this product in a manner that could interfere with airbag deployment.
- Incorrect installation may lead to water leaks, electric shock, or fire.
- Secure all items in the cargo area properly, and close partition doors while the vehicle is in motion.
- Any modification or unintended use of this product could create a hazardous condition and void the warranty.
- Opt for professional installation conducted by certified technicians well-versed in vehicle upfitting procedures. Entrusting the installation to amateurs could jeopardize both the effectiveness and safety of the product.
- Adhere to local, state, and federal regulations governing vehicle modifications. Failure to comply with these regulations may result in serious legal consequences.

# Contents

ASSEMBLY INSTRUCTIONS .....	4
1 PREPARATION .....	4
2 ASSEMBLY FASTENER KIT .....	5
3 INSTALLATION FASTENER KIT.....	5
4 PARTITION ASSEMBLY.....	6
INSTALLATION INSTRUCTONS.....	7
1 INSTALLING PLUS NUTS.....	7
2 FASTENING PARTITION TO THE VEHICLE .....	9

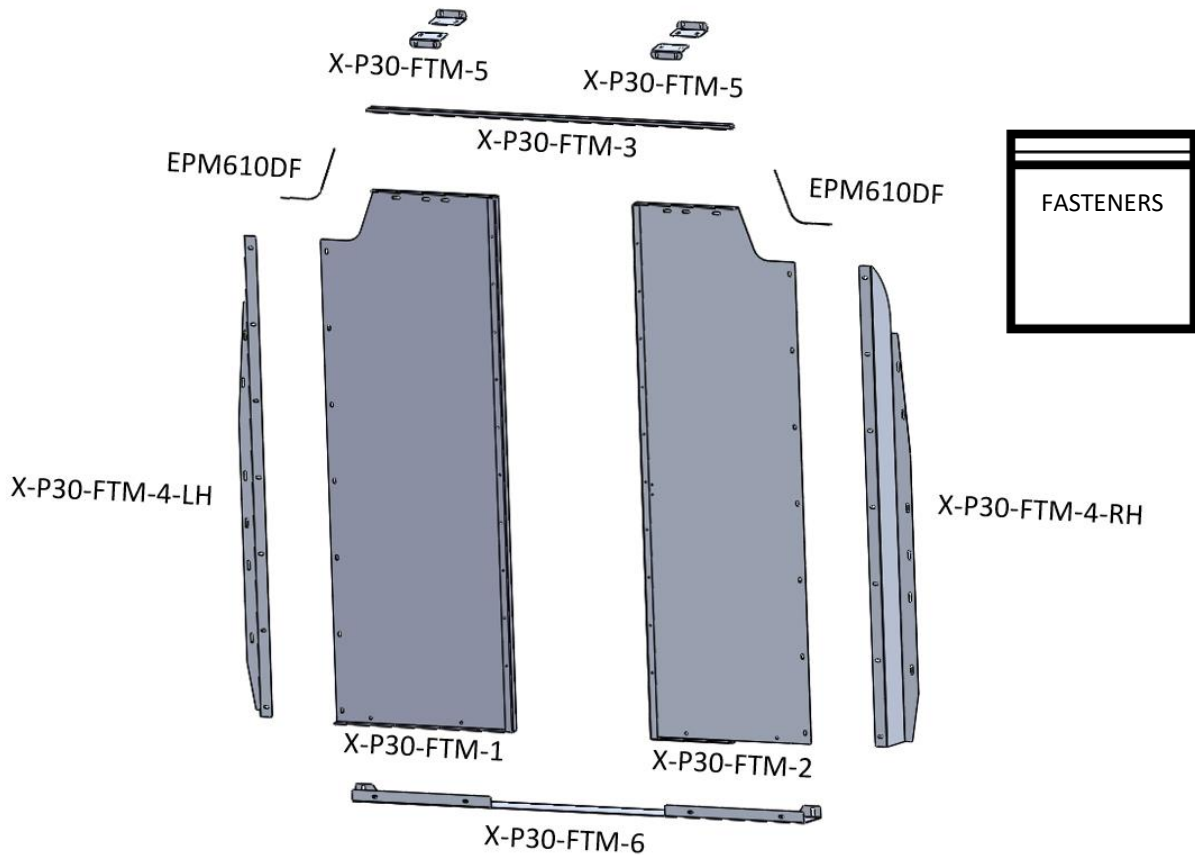
## Required Items

- 2 People (To Lift Partition)
- 7/16" Nut Driver Bit
- 1/2" Nut Driver Bit
- 10mm Nut Driver Bit
- T50 Torx Bit
- 9/16" Wrench
- Plus Nut Tool or Plus Nut Gun (1/4")
- Cordless Drill
- Cordless Impact Driver
- Tin Snips

# ASSEMBLY INSTRUCTIONS

## 1 PREPARATION

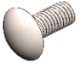



Unpack components and compare to the Bill of Materials. Ensure that all of the parts are present.





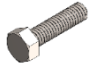






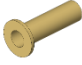
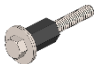
## BILL OF MATERIALS

Part Number	Description	Quantity
X-P30-FTM-1	Partition Main Panel, LH	1
X-P30-FTM-2	Partition Main Panel, RH	1
X-P30-FTM-3	Partition Top Alignment Bar	1
X-P30-FTM-4-LH	Partition Side Panel, Transit, LH	1
X-P30-FTM-4-RH	Partition Side Panel, Transit, RH	1
X-P30-FTM-5	Partition Mounting Bracket, FT MR	4
X-P30-FTM-6	Partition Bottom Mounting Bracket	1
EPM610DF	Rubber Edge Trim	4 FT
HK37	Hardware Kit	1

## 2 ASSEMBLY FASTENER KIT

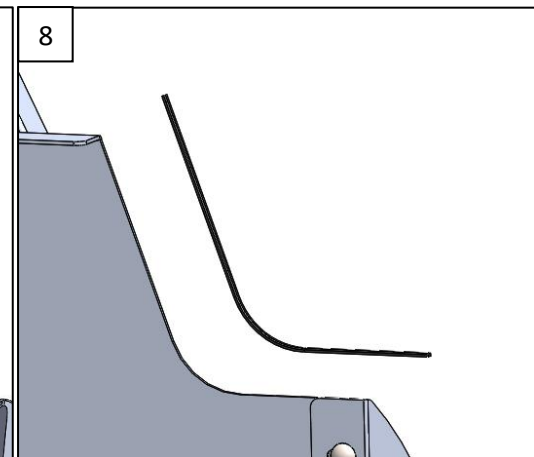
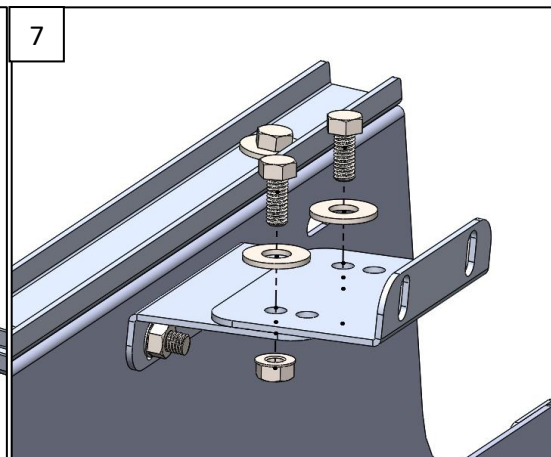
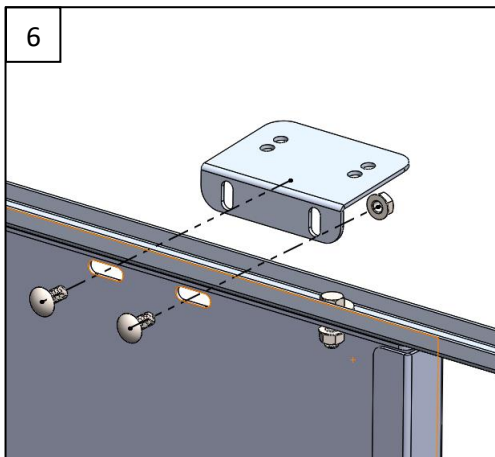
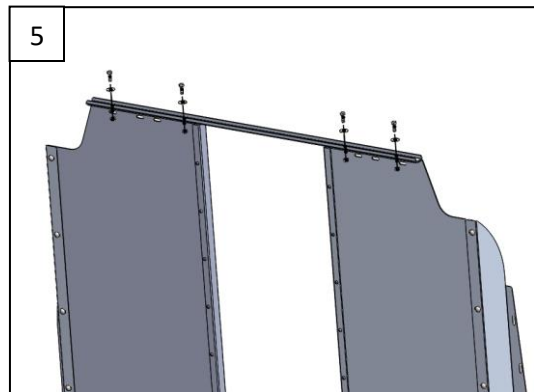
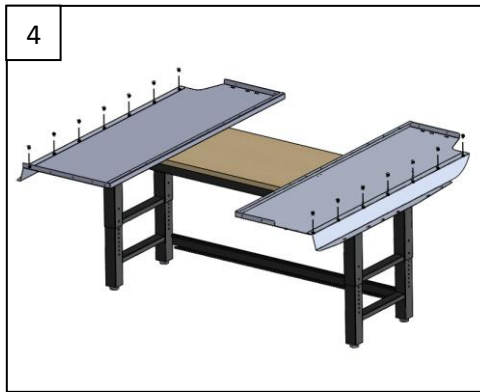
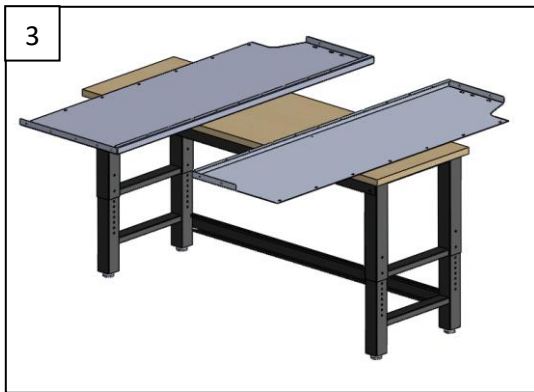
Quantity	Description	Image	Purpose
18	Carriage Bolt 5/16-18 x 5/8		Assembling Partition
8	Hex Bolt 5/16-18 x 3/4"		
8	5/16" Flat Washer		
26	Serrated Nut 5/16-18		

## 3 INSTALLATION FASTENER KIT

Quantity	Description	Image	Purpose
11	Hex Washer Head Screw #14 x 5/8"		Fastening the Partition to the Vehicle
6	Hex Bolt M6-1.0 x 20mm		
6	Hex Bolt 1/4-20 x 1-1/4"		
4	Hex Bolt 5/16-18 x 3/4"		
2	PH Self Tapping Bolt 7/16-20 x 1-1/8"		
4	5/16" Flat Washer		
12	1/4" Flat Washer		
12	1/4" Lock Washer		
4	Serrated Nut 5/16-18		
6	Plus Nut 1/4"		
1	1/4" Plus Nut Tool		

## 4 PARTITION ASSEMBLY

1. Ensure your work surface is clean and smooth to minimize surface scratches. Working on cardboard or foam sheet is recommended.
2. Before assembling, unmask the protective film from all surfaces of each part.
3. Lay the Main Panels onto a workbench.
4. Fasten the Side Panels to the Main Panels using the provided carriage bolts.
5. Fasten the Top Alignment Bar to the Main Panels.
6. Hand tighten the Top Mounting Brackets into place.
7. Fasten the Top Mounting Brackets together into the furthest holes from the Main Panel.
8. Place the rubber trim in the top corner of the partition as shown and trim to length using Tin Snips. Repeat on opposite side.



### Tools Used:

Cordless Impact Driver  
1/2" Nut Driver Bit  
Tin Snips

### Hardware Used:

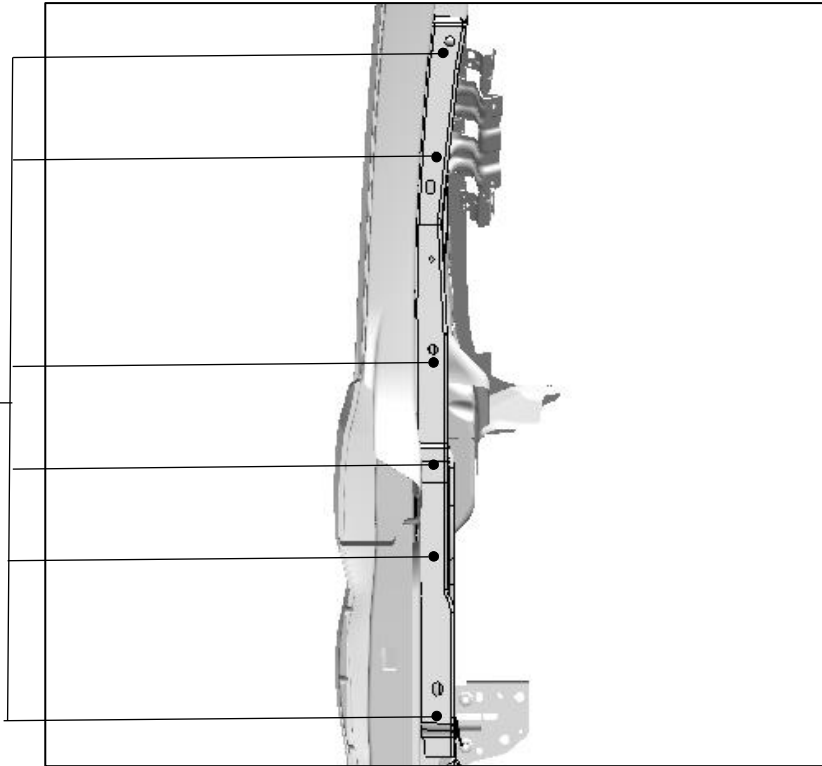
18 x Carriage Bolt 5/16-18 x 5/8"  
8 x Hex Bolt 5/16-18 x 3/4"  
8 x Flat Washer 5/16"  
26 x Serrated Flange Nut 5/16-18

# INSTALLATION INSTRUCTIONS

## 1 INSTALLING PLUS NUTS

1. Locate factory holes on the drivers side as shown below.
2. Install plusnuts into six factory holes on drivers side.

Install plus nuts into six factory holes.



**Tools Used:**  
Cordless Impact Driver  
7/16" Nut Driver Bit  
9/16" Wrench  
Plus Nut Installation Tool

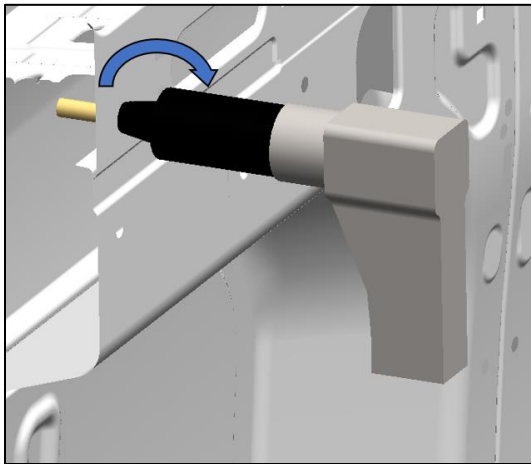
**Hardware Used:**  
6 x 1/4" Plus Nuts



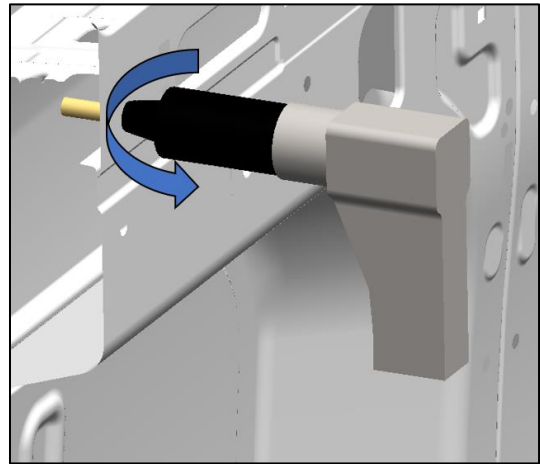
**(A) Using Plus Nut Gun: (If available- otherwise see B below)**

- Place 2 drops of air tool oil into the air fitting regularly.
- Ensure that there is anti-seize on the Plus Nut Gun threads at all times.
- Thread a Plus Nut onto the threads of the gun, then place bolt and Plus Nut through pre-drilled hole.
- Pull trigger of Plus Nut Gun to compress Plus Nut into the material until the noise changes on the gun.
- Reverse direction on gun to unscrew Bolt from the Plus Nut.

**FORWARD**



**REVERSE**



**(B) Using Plus Nut Tool:**

**STEP 1**

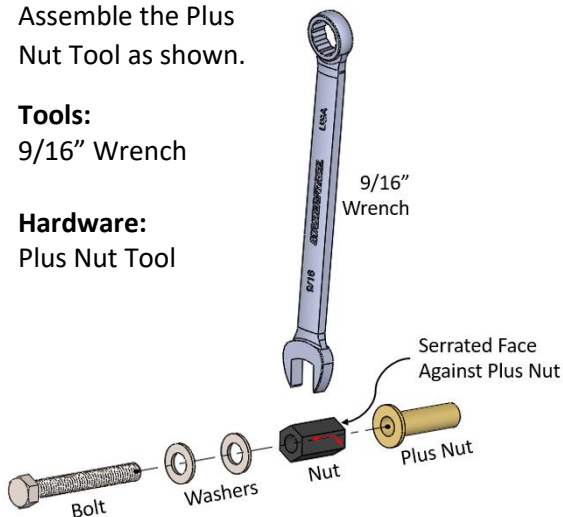
Assemble the Plus Nut Tool as shown.

**Tools:**

9/16" Wrench

**Hardware:**

Plus Nut Tool



**STEP 2**

Fasten Plus Nut to vehicle:

- Insert Plus Nut into hole.
- Hold Nut with wrench.
- Tighten bolt until Plus Nut clamps the vehicle body metal tightly.

**Tools:**

Cordless Impact Driver  
7/16" Nut Driver Bit  
9/16" Wrench



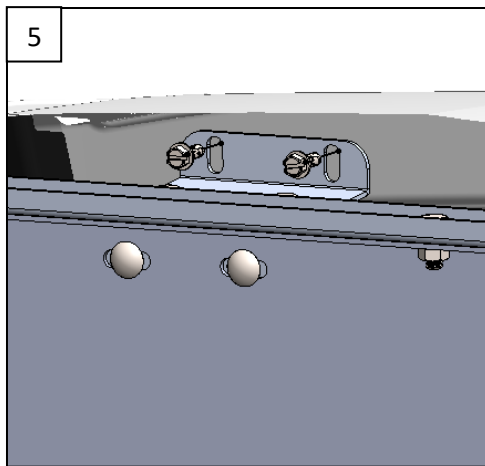
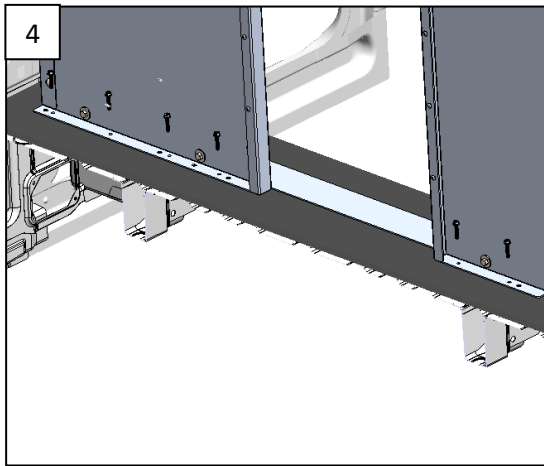
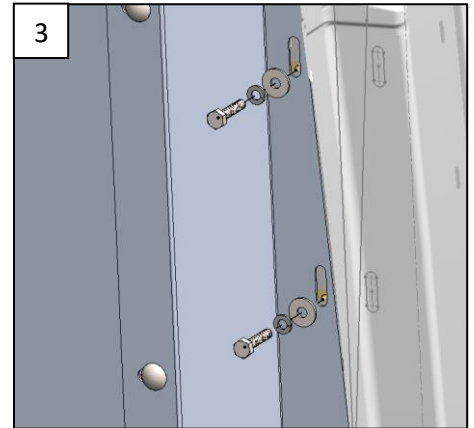
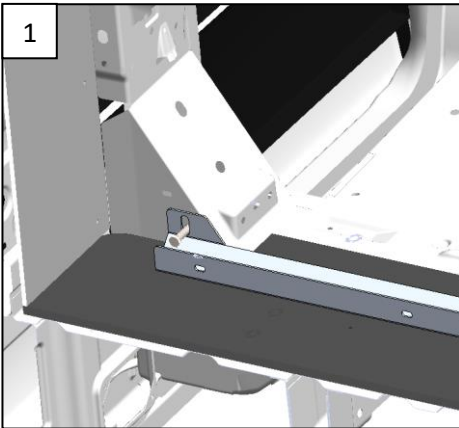
**Hardware:**

6 x 1/4" Plus Nuts  
1/4" Plus Nut Tool



## 2 FASTENING PARTITION TO THE VEHICLE

1. Fasten the Bottom Mounting Bracket to the vehicle as shown using the provided Self Tapping Bolts.
2. Lift the assembled partition into place before fastening it to the bottom mounting bracket.
3. Fasten the Side Brackets to the rear of the B-Pillar as shown.
4. Fasten the partition to the subfloor using 3/4" screws if there is a subfloor present in the van.
5. Fasten the top brackets to the roof crossmember of the van using the screws provided.
6. Ensure that all of the fasteners are tight.

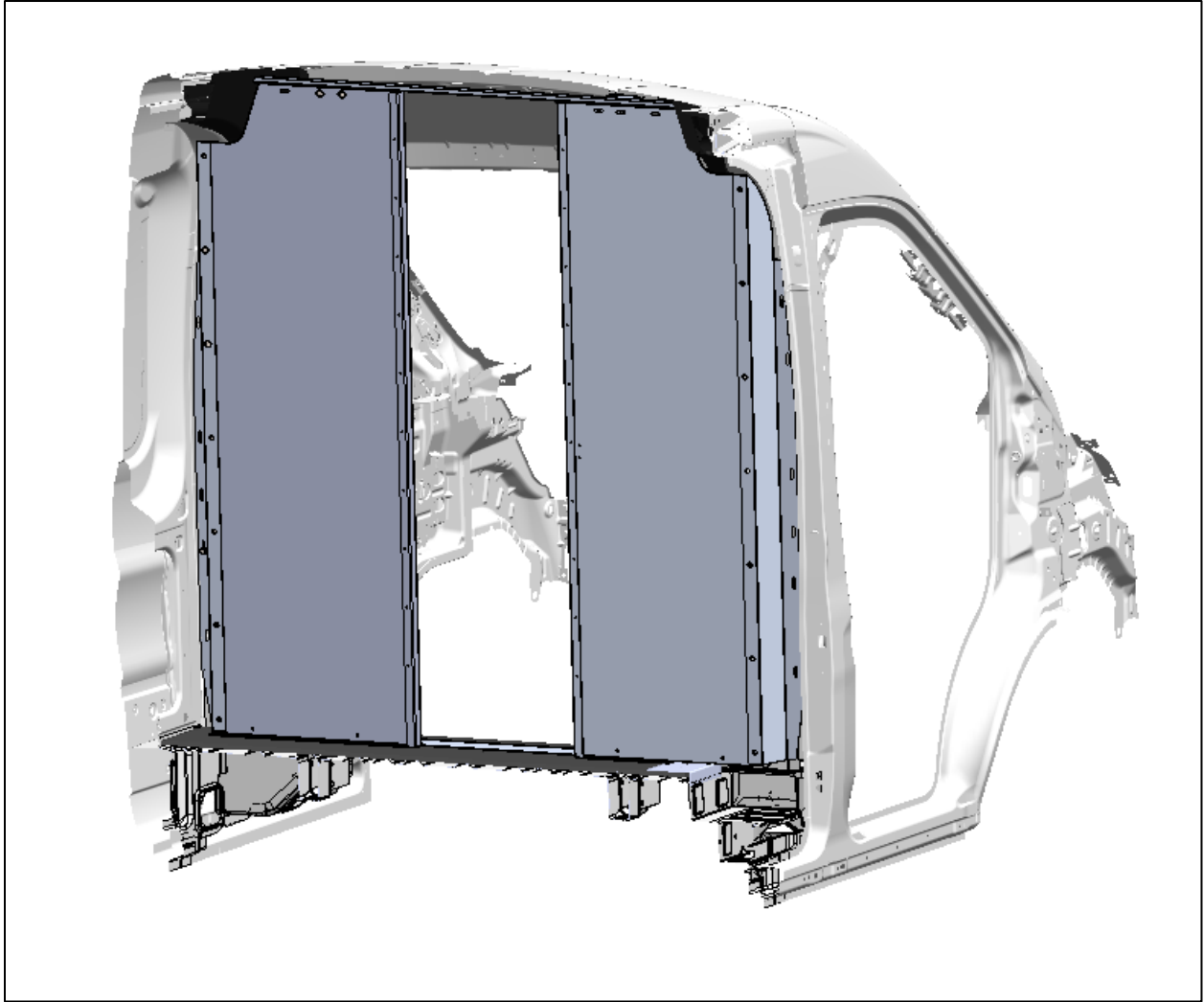


### Tools Used:

Cordless Impact Driver  
Cordless Drill  
7/16" Nut Driver Bit  
1/2" Nut Driver Bit  
T50 Torx Bit  
10mm Nut Driver Bit

### Hardware Used:

6 x Hex Bolt M6 x 1.0 x 20mm  
6 x Hex Bolt 1/4-20 x 1-1/4"  
4 x Hex Bolt 5/16-18 x 3/4"  
2 x PH Self Tapping Bolt 7/16-20 x 1-1/8"  
12 x Flat Washer 1/4"  
4 x Flat Washer 5/16"  
12 x Lock Washer 1/4"  
11 x Hex Washer Head Screw 3/4"  
4 x Serrated Flange Nut 5/16-18



You have successfully installed your Vertical Partition! If you have any questions or concerns, please contact us at (888)-796-3430